

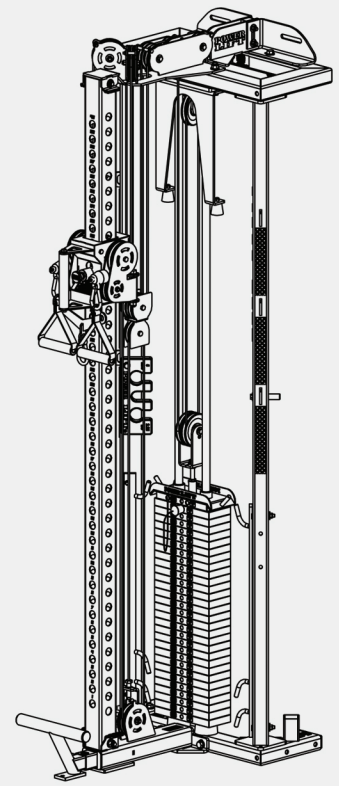
POWER LIFT®

3 x 3 ADJUSTABLE PULLEY - WALL MOUNTED

SPECIFICATION SHEET

KEY FEATURES:

- Dual handle design
- Adjustable T-Bar
 - For low rows, kneeling high pulls
 - T-Bar Storage incorporated into rack design
- Pulley Handle Adjustment Features
 - Smooth effortless vertical adjustments of pulley handle
 - Constructed with machine aluminum pulley housings for lightweight
 - 4 rollers machined from Delrin® High Strength plastic on 2 sides of upright
 - Each Delrin® Roller contains (2) 608 2RS Abec-7 Bearings, 8 in total
 - 1-inch knurled aluminum handle
- Band hooks standard
- 300 lb. weight stack
 - 2:1 resistance ratio when both handles being used
 - 1:1 resistance ratio when both handles used simultaneously or linked together
 - Other weight stack sizes available
- Cable - designed and manufactured in the USA
 - 7 x 19 preformed galvanized steel construction with Nylon coating
 - Cables are lot tested to ensure safety and durability
 - Cables are assembled in an ISO 9000 certified facility
- 1 Pair Nylon Handles included
- Handle connecting plate included
 - Allows for 2 pulley cables to be connected to one plate so standard handle attachment may be used
- Handle storage locations incorporated into framework
- Adjustable Column Features
 - 3" x 3" 11 gauge (.120 wall) Polished Stainless steel using 240 grit polishing pad
 - Laser cut numbers and holes
 - 1" holes spaced every 2 inches on all 4 sides, allows for 3 x 3 attachments to be used in conjunction with ACC
 - Optional Attachments
 - Dip Attachment - can perform a weighted dip movement
 - Nordic Curl Attachment
 - Pulley can be used to aid with Nordic Curl movement
 - Nordic curl attachment can also be used in conjunction with a bench to create a seated Lat Pulldown station



PART NUMBER:

58125A

OVERALL DIMENSIONS:

38 7/32" (D) x 28" (W) x 95 1/2" (H) | 575 lbs. (Weight)

WARRANTY:

Lifetime conditional warranty on frame components. Five years on rotary bearings, guide rods, pulleys and weight plates. One year on belts, cables and grips. Ninety days on upholstery and items not specified.

STANDARD COLOR OPTIONS:



* Custom colors available for an additional fee. Used for Reference Purposes only - Digital Colors Vary. Power Lift uses premium high quality Powder Coat Paint and Upholstery.